



Arctic series are designed for operation in heating mode at lowest external temperatures down to -25°C . They are equipped with an air ionizer. Modern design, clear geometric lines of the panel of the indoor unit with LED display emphasize the conciseness and sophistication of the style.



CH
Cooper & Hunter

SERIES

STYLE AND
RELIABILITY

ARCTICNS



SERIES ARCTIC NG



5 YEARS
 +50°C
 -25°C
 20dB
 CE RoHS **INVERTER**



FUNCTION

| HEALTH | | | | | | COMFORT MANAGEMENT | | | | | | | | |
|------------------------|---------------------|------------------|---------------------|-----------------------------|-----------------|----------------------------|-----------------|--------------|---------------------|-------------------|-----------------------|-----------------------|--------------|--------|
| | | | | | | | | | | | | | | |
| Mode SLEEP | Technology CH 7-SKY | ECO-FRESH | CH SMART-ION filter | Double Self-clean | Self-clean | Locking the remote control | Timer | LED display | Turbo mode | Multi speed fan | Dehumidification mode | Dehumidification mode | Wi-Fi | I FEEL |
| INTELLIGENT CONTROL | | | | TECHNOLOGICAL | | | | | | ENERGY EFFICIENCY | | | | |
| | | | | | | | | | | | | | | |
| Anti Freeze protection | Auto restart | Self diagnostics | Display backlight | Wired controller connection | R32 Refrigerant | Silent mode | Auto protection | Function 8°C | Technology I-Action | Coating BLUE-FIN | Warm start | Energy Efficiency | Generation 6 | |

CONTROLS AND ACCESSORIES (OPTIONAL)



Wired Controller
XK76



Wired Controller
CE50-24/E

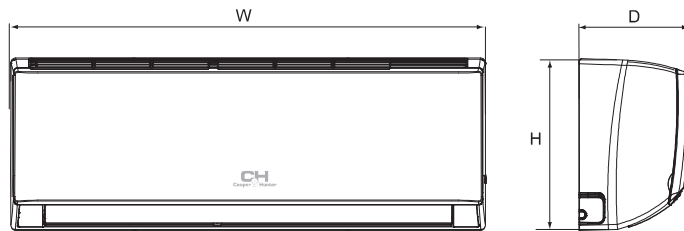


Wired Controller
CES2-24/F

| MODEL | | | CH-S09FTXLA2-NG | CH-S12FTXLA2-NG | CH-S18FTXLA2-NG | CH-S24FTXLA2-NG |
|-------------------|------------------|-------|------------------|------------------|------------------|------------------|
| Capacity | Cooling | kW | 2.70 (0.80-3.80) | 3.51 (0.90-4.40) | 5.20 (1.00-6.10) | 7.10 (2.00-8.85) |
| | Heating | kW | 3.00 (0.90-4.25) | 3.81 (0.90-4.70) | 5.60 (1.10-6.60) | 7.80 (1.80-9.45) |
| Power consumption | Cooling | kW | 0.69 (0.10-1.30) | 0.96 (0.22-1.40) | 1.58 (0.10-2.35) | 2.03 (0.45-2.90) |
| | Heating | kW | 0.70 (0.15-1.40) | 0.95 (0.22-1.55) | 1.44 (0.18-2.40) | 2.00 (0.35-3.00) |
| Energy efficiency | Cooling (SEER*) | kW/kW | 7.5 (A++) | 7.1 (A++) | 7.1 (A++) | 7.0 (A++) |
| | Heating (SCOP**) | kW/kW | 5.3 (A+++) | 5.2 (A+++) | 5.7 (A+++) | 5.4 (A+++) |

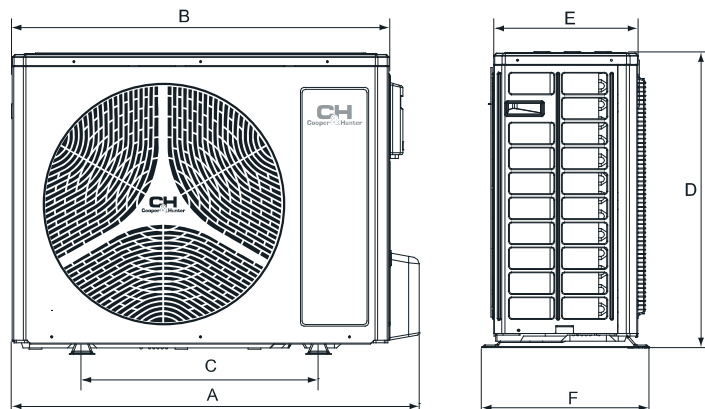
* SEER – seasonal coefficient of system cooling capacity.
 ** SCOP – seasonal coefficient of system cooling capacity.

| INDOOR UNIT | | CH-S09FTXLA2-NG | CH-S12FTXLA2-NG | CH-S18FTXLA2-NG | CH-S24FTXLA2-NG |
|----------------------|-------------------|-----------------------------|-----------------------------|-----------------------------|--------------------------------|
| Air flow volume | m ³ /h | 390/420/440/470/540/570/610 | 360/420/480/540/600/650/700 | 460/520/570/610/680/750/850 | 800/850/900/950/1000/1100/1250 |
| Sound pressure level | dB (A) | 20/22/24/26/28/32/37 | 21/23/24/26/29/33/38 | 24/27/31/33/38/41/45 | 27/29/35/37/39/42/47 |
| Dehumidification | l/h | 1.69 | 1.40 | 1.9 | 2.4 |
| Weight | kg | 10.5 | 10.5 | 13 | 16.5 |



| MODEL | W (mm) | H (mm) | D (mm) |
|-----------------|--------|--------|--------|
| CH-S09FTXLA2-NG | 845 | 289 | 209 |
| CH-S12FTXLA2-NG | 845 | 289 | 209 |
| CH-S18FTXLA2-NG | 970 | 300 | 224 |
| CH-S24FTXLA2-NG | 1078 | 325 | 246 |

| OUTDOOR UNIT | | CH-S09FTXLA2-NG | CH-S12FTXLA2-NG | CH-S18FTXLA2-NG | CH-S24FTXLA2-NG |
|-----------------------------------|---------|---------------------|-----------------|-----------------|-----------------|
| Sound pressure level | dB (A) | 50 | 52 | 56 | 59 |
| Compressor type | | Rotary | | | |
| Refrigerant type | | R32 | | | |
| Temperature range for cooling | °C | -15 ... +50 | | | |
| Temperature range for heating | °C | -25 ... +30 | | | |
| Power supply | | ~220-240V/50Hz/1 Ph | | | |
| Weight | kg | 24.5 | 24.5 | 30.5 | 41.5 |
| Refrigerant Charge | kg | 0.53 | 0.57 | 0.82 | 1.50 |
| Liquid pipeline diameter | mm/inch | 6.35/1/4" | 6.35/1/4" | 6.35/1/4" | 6.35/1/4" |
| Gas pipeline diameter | mm/inch | 9.52/3/8" | 9.52/3/8" | 12.7/1/2" | 15.88/5/8" |
| Maximum pipeline level difference | m | 10 | 10 | 10 | 10 |
| Pipeline maximum length | m | 15 | 15 | 25 | 25 |



| MODEL | A (mm) | B (mm) | C (mm) | D (mm) | E (mm) | F (mm) |
|-----------------|--------|--------|--------|--------|--------|--------|
| CH-S09FTXLA2-NG | 732 | 675 | 455 | 555 | 285 | 330 |
| CH-S12FTXLA2-NG | 732 | 675 | 455 | 555 | 285 | 330 |
| CH-S18FTXLA2-NG | 802 | 745 | 513 | 555 | 300 | 350 |
| CH-S24FTXLA2-NG | 958 | 889 | 570 | 660 | 340 | 402 |